

GRAS 67AX

ø400 mm CCP Ground Array Microphone Kit



Freq range: 3.15 Hz to 20 kHz
Dyn range: 22 dB(A) to 150 dB
Sensitivity: 12.5 mV/Pa

The GRAS 67AX ½" CCP Ground Array Microphone Set consists of a ½" precision pressure microphone with built-in CCP preamplifier, a ø400 mm mounting plate, and an adapter for a BNC cable.

Typical applications and use

- Ground array measurements
- General noise measurements
- Ideal for the aerospace industry

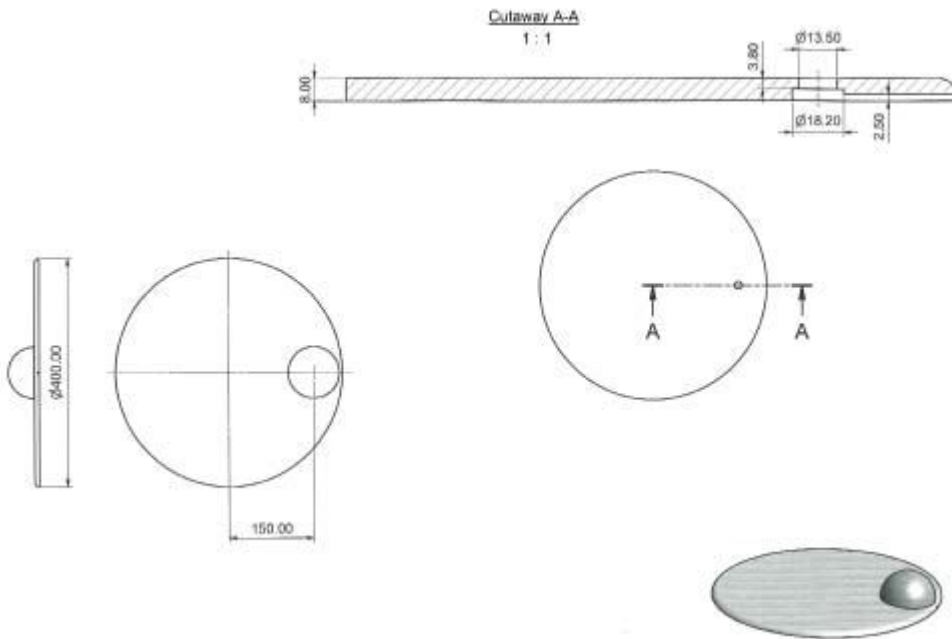
Design

The 67AX is a ground array microphone kit designed for the aerospace industry, i.e. for measurement of noise from overhead aircraft.

The microphone set is designed to sit asymmetrically in the mounting to attain a more uniform frequency response for measurements.

The [GRAS 47AX](#) microphone is a IEC 61094 1/2" CCP Flush-mount Microphone Set with a dynamic range from 22 dB to 150 dB and a frequency range from 3.15 Hz to 20 kHz. Its height of only 8 mm (to the diaphragm) is the ideal match for the design of the 67AX. The built-in preamplifier is a low noise constant current power (CCP) type, with a built-in TEDS circuit for automatic transducer identification.

Polarization/Connection		0 V / CCP
Frequency range (± 1 dB)	Hz	5 to 12.5 k
Frequency range (± 2 dB)	Hz	3.15 to 20 k
Dynamic range lower limit (microphone thermal noise)	dB(A)	22
Dynamic range upper limit	dB	150
Dynamic range upper limit with GRAS CCP preamplifier	dB	149
Set sensitivity @ 250 Hz (± 2 dB)	mV/Pa	12.5
Microphone venting		Rear
IEC 61094-4 Compliance		WS3P
Output impedance		<50
Temperature range, operation	°C / °F	-30 to 70 / -22 to 158
Temperature range, storage	°C / °F	-40 to 85 / -40 to 185
Static pressure coefficient @250 Hz	dB/kPa	-0.008
Humidity range non condensing	% RH	1 to 100
Humidity coefficient @250 Hz	dB/% RH	< 0.1
Influence of axial vibration @1 m/s ²	dB re 20 μ Pa	66
TEDS UTID (IEEE 1451.4)		27 v. 1.0
Connector type		BNC
CE/RoHS compliant/WEEE registered		Yes/Yes/Yes
Weight	g / oz	15 / 0.529



Placement of the microphone in the plate with the windscreen on top. The cutaway of section A to A shows how the microphone fits into the plate.

GRAS Sound & Vibration reserves the right to change specifications and accessories without notice.

Included items

GRAS 47AX-S1	1/2" CCP Flush-mounted Microphone Set
GRAS GR1425	Ground plate Ø400 mm
GRAS AM0375	Windscreen for 67AX
GRAS AA0097	3 m Microdot Angled - BNC cable

Optional accessories

GRAS 42AP	Intelligent Pistonphone, Class 0
GRAS RA0216	Pistonphone field-verification adapter
GRAS RA0221	Pistonphone calibration adapter

GRAS Sound & Vibration reserves the right to change specifications and accessories without notice.

GRAS Worldwide

Subsidiaries and distributors in more than 40 countries

HEAD OFFICE, DENMARK
GRAS SOUND & VIBRATION
Skovlytoften 33
2840 Holte
Denmark
Tel: +45 4566 4046
www.GRASacoustics.com
gras@grasacoustics.com

USA
GRAS SOUND & VIBRATION
9290 SW Nimbus Avenue
Beaverton, OR 97008
Tel: 503-627-0832
Toll Free: 800-231-7350
www.GRASacoustics.com
sales-usa@grasacoustics.com

UK
GRAS SOUND & VIBRATION
Unit 115, Gibson House,
Ermine Business Park, Huntingdon,
Cambridgeshire, PE29 6XU
Tel: +44 (0) 7762 584 202
www.GRASacoustics.com
sales-uk@grasacoustics.com

CHINA
GRAS SOUND & VIBRATION
Room 315, RuiBo Center(T1)
Lane683, Shenhong Rd,
Minhang District,
Shanghai, China, 201107
Tel: +86 21 64203370
www.GRASacoustics.cn
cnsales@grasacoustics.com



About GRAS Sound & Vibration

GRAS is a worldwide leader in the sound and vibration industry. We develop and manufacture state-of-the-art measurement microphones and related equipment for industries where acoustic measuring accuracy and repeatability are of the utmost importance. This includes applications and solutions for customers within the fields of aerospace, automotive, audiology, consumer electronics and other highly demanding industries. GRAS microphones are designed to live up to the high quality, durability and accuracy that our customers have come to expect, trust and require.

GRAS Sound & Vibration is represented through subsidiaries and distributors in more than 40 countries and is part of Axiometrix Solutions, a leading test solutions provider comprised of globally recognized measurement brands. Read more at www.grasacoustics.com

grasacoustics.com

GRAS
An Axiometrix Solutions Brand