

GRAS 46BF-1

1/4" LEMO Free-field Standard Microphone Set



Freq range: 4 Hz to 100 kHz
Dyn range: 35 dB(A) to 172 dB
Sensitivity: 3.6 mV/Pa
Use: For general acoustic diagnostics

The GRAS 46BF-1 is a 1/4" Traditional Power (LEMO) free-field microphone set for measuring high sound pressure levels at high frequencies. It is terminated with a 5-pin LEMO mini-connector and is TEDS compatible. The equivalent Constant Current Power (CCP) type is [GRAS 46BE](#).

Introduction

Through a close cooperation with our customers, we know that data-safety is highly important because the costs related to unsuited and unreliable sensors may determine whether your project turns into a success or not.

For our users, data safety translates directly into requests for easier microphone selection, simple system configuration and reduction of measurement errors.

To meet these requirements, we invented the microphone set concept. It is simple, reliable and robust and consists of a microphone cartridge and preamplifier combination, which is calibrated as one unit. This eliminates errors because there is only one sensitivity value to account for and the risk of contaminating the interface is eliminated. Combine this with our unique and proven design and you have the most reliable measurement microphone sets available in the industry today.

Typical applications and use

The 46BF-1 is a free-field microphone set and as such optimized for all acoustic applications, where the location of the main sound source is known and the microphone can be pointed directly at it ensuring 0° incidence. However it should be noted that the small size of the 1/4" microphone body and diaphragm also enables pressure and random-incidence (diffuse field) measurements up to 20 kHz without removing the protection grid or need for further compensation. This all-use feature is very useful if you are not able to point out the nature of your sound field.

The high cut-off frequency makes it ideal for ultrasonic diagnostics and impulse measurements, where minimum distortion and high resolution are obtained by the small size and fast response of the

diaphragm.

Regarding temperature range, see the Specifications. Should higher temperature limits be required, we recommend considering the GRAS probe microphones where the microphone and preamplifier can be isolated from the hot source.

Design

The GRAS 46BF-1 is a high-performance standard microphone set. In our clean-room environment the set is assembled and sealed with a label. However, the microphone set can be dismantled, if you wish to use the components separately.

Microphone

The microphone cartridge is the high-quality IEC 61094 WS3F standardized [GRAS 40BF 1/4"](#) Externally Polarized Free-Field Microphone, designed for long-term reliability in multiple environments.

Preamplifier

The preamplifier is the [GRAS 26AC-1](#) Preamplifier which is inclusive TEDS and based on our well-known circuit board substrates. In the industry these are famous for their low self-noise, wide frequency and excellent slew rate performance.

Compatibility

To perform as specified, the GRAS 46BF-1 microphone set requires a power module or an analyzer input which can supply the preamplifier with power as well as 200 V polarization. If the power supply is lower, the capability of driving long cables is reduced and consequently the upper frequency is reduced. If the voltage supply is lower it will influence the upper dynamic range.

The microphone set is terminated with a 5-pin LEMO mini-connector. Cables with LEMO connectors of various types and lengths are available in standard

as well as customized lengths.

The 46BF-1 is IEEE 1451.4 TEDS (v. 1.0) compliant. If your measurement platform supports Transducer Electronic Data Sheets you will be able to read and write data like properties and calibration data.

System verification

The functionality of TEDS is very useful to determine which microphone is connected to which input channel. However, it is not a check of whether the microphone is within specifications or not. For daily verification and check of your measurement setup, we therefore recommend using a sound source like the [GRAS 42AG](#) Sound Calibrator.

For proper sensitivity calibration we recommend using a reference sound source like the [GRAS 42AP](#) Intelligent Pistonphone.

Calibration

When leaving the factory, all GRAS microphones have been calibrated in a controlled laboratory environment using traceable calibration equipment. Depending on the use, measurement environment and internal quality control programs we recommend that the microphone is recalibrated at least once a year.

We offer two kinds of calibration as an optional after-sales service: GRAS Traceable Calibration and GRAS Accredited Calibration.

GRAS Traceable Calibration is a traceable calibration performed by trained personnel under controlled conditions according to established procedures and standards.

GRAS Accredited Calibration is performed by the GRAS Accredited Calibration Laboratory that has been accredited in accordance with ISO 17025 by DANAK, the Danish Accreditation Fund.

If you want a new microphone set delivered with an accredited calibration in stead of the default factory calibration, specify this when ordering.

Learn more at [gras/calib](#).

Quality and warranty

GRAS microphone sets are made of components from our proven standard portfolio and are all manufactured of high-quality material and branded parts that were chosen and processed to ensure life-long stability and robustness.

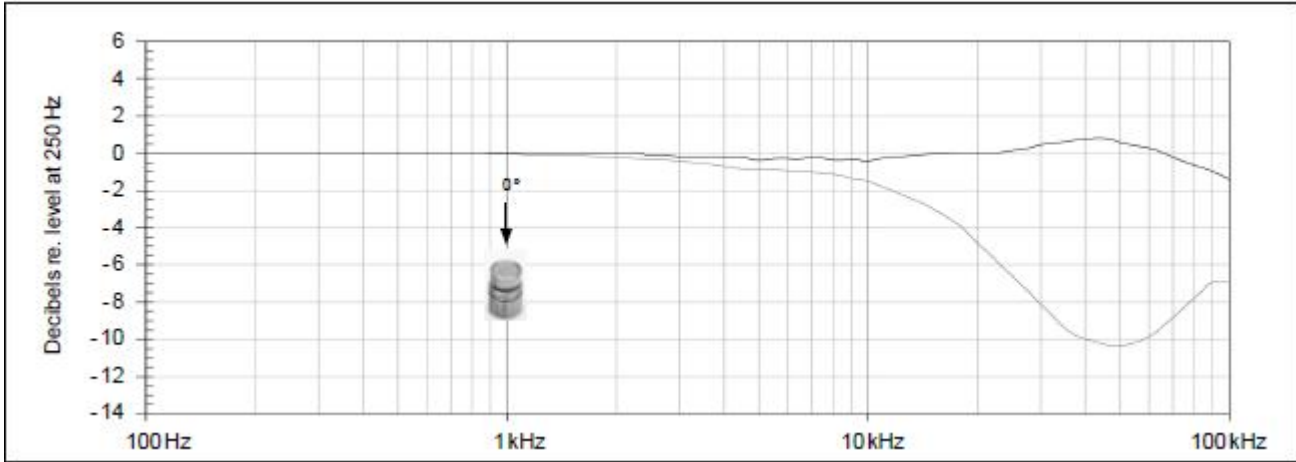
All parts are manufactured and assembled at the factory in Denmark by skilled and dedicated operators in a verified clean-room environment. The microphone diaphragm, body and unique protection grid are made of high-grade stainless steel and make the microphone set resistant to physical damage as well as corrosion caused by aggressive air or gasses.

This, together with the enforced gold-plated microphone terminal guarantees a highly reliable connection. Thanks to the high quality, our warranty against defective materials and workmanship is 5 years.

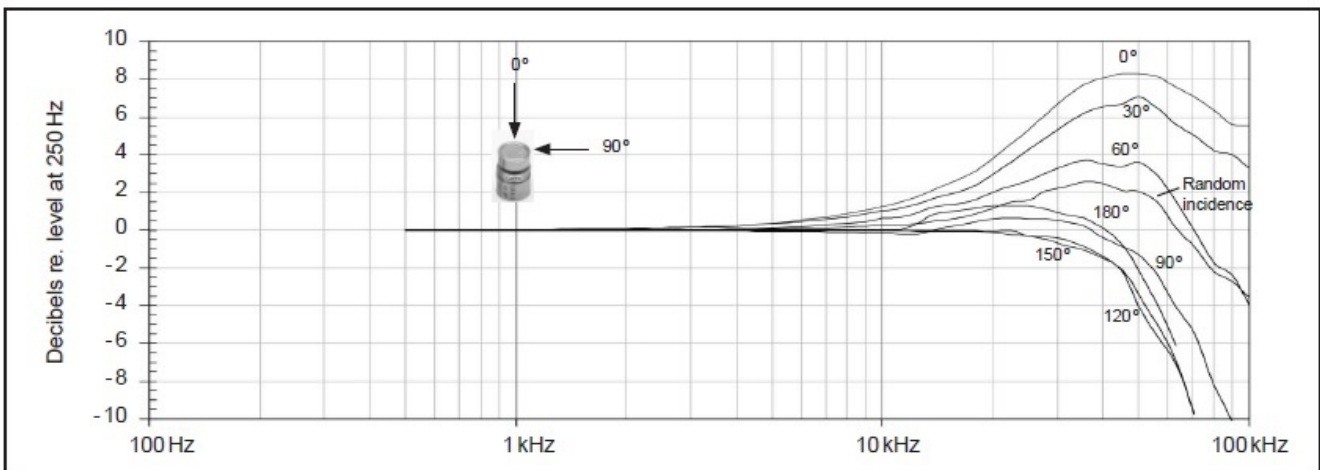
Service

Should you by mistake damage the diaphragm on a GRAS microphone we will in most cases be able to exchange it at a very reasonable cost and short turn-around time. This not only protects your investment but also meets your quality assurance department since you do not have to worry about new serial numbers etc.

| | | |
|---|---|----------------------------------|
| Polarization/Connection | | 200 V / Traditional |
| Frequency range (± 1 dB) | Hz | 10 to 40 k |
| Frequency range (± 2 dB) | Hz | 4 to 100 k |
| Dynamic range lower limit with GRAS preamplifier | dB(A) | 35 |
| Dynamic range upper limit with GRAS preamplifier @ +28 V / ± 14 V power supply | dB | 163 |
| Dynamic range upper limit with GRAS preamplifier @ +120 V / ± 60 V power supply | dB | 172 |
| Set sensitivity @ 250 Hz (± 3 dB) | mV/Pa | 3.6 |
| Set sensitivity @ 250 Hz (± 3 dB) | dB re 1V/Pa | -49 |
| Output impedance | | 75 |
| Power supply min. to max. (single/balanced) | V | 28 to 120 / ± 14 to ± 60 |
| DC-offset, min., single supply | V | $0.5 \times V_s - 1$ |
| DC-offset, max., single supply | V | $0.5 \times V_s + 4$ |
| DC-offset, balanced supply | V | -1 to 4 |
| Microphone venting | | Rear |
| IEC 61094-4 Designation | | WS3F |
| Temperature range, operation | $^{\circ}\text{C} / ^{\circ}\text{F}$ | -30 to 70 / -22 to 158 |
| Temperature range, storage | $^{\circ}\text{C} / ^{\circ}\text{F}$ | -40 to 85 / -40 to 185 |
| Temperature coefficient @250 Hz | dB/ $^{\circ}\text{C}$ / dB/ $^{\circ}\text{F}$ | -0.01 / -0.006 |
| Static pressure coefficient @250 Hz | dB/kPa | -0.02 |
| Humidity range non condensing | % RH | 0 to 90 |
| Humidity coefficient @250 Hz | dB/% RH | -0.0013 |
| Influence of axial vibration @1 m/s ² | dB re 20 μPa | 60 |
| TEDS UTID (IEEE 1451.4) | | 27 v. 1.0 |
| Connector type | | 5-pin LEMO 00 |
| CE/RoHS compliant/WEEE registered | | Yes / Yes/Yes |
| Weight | g / oz | 8 / 0.282 |



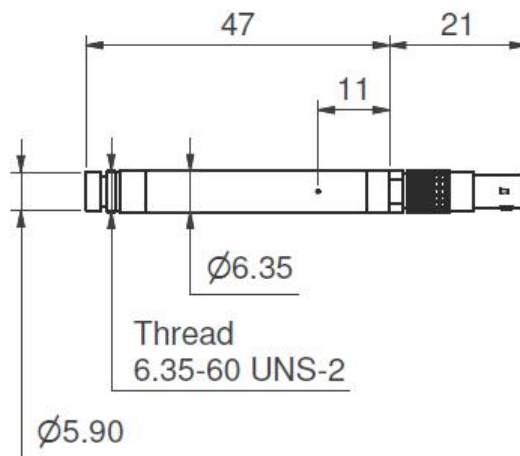
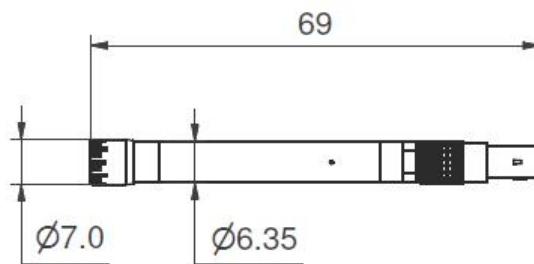
Typical frequency response (without protection grid). Upper curve shows free-field response for 0°, lower curve shows pressure response.



Free-field corrections for different angles of incidence

GRAS Sound & Vibration reserves the right to change specifications and accessories without notice.

Dimensions in mm



Optional items

| | |
|-----------------------------|--|
| GRAS AA0091 | 3 m LEMO 5-pin - LEMO 7-pin Cable |
| GRAS AL0029 | 1/4" Microphone Holder, POM |
| GRAS AL0013 | 1/4" Microphone Holder, Stainless Steel |
| GRAS AL0005 | Swivel head |
| GRAS AL0006 | Tripod |
| GRAS RA0022 | 1/4" Nosecone |
| GRAS AM0071 | Windscreen for 1/4" Microphones |
| GRAS RA0127 | Rain-protection cap for 1/4" microphones |
| GRAS 12AA | 2-Channel Power Module with gain, filters and SysCheck generator |
| GRAS 12AQ | 2-Channel Universal Power Module with signal conditioning and PC interface |
| GRAS 42AG | Multifunction Sound Calibrator, Class 1 |
| GRAS 42AP | Intelligent Pistonphone, Class 0 |
| GRAS CA0029 | Traceable Calibration of Microphone Set |
| GRAS CA2301 | Accredited Calibration of Microphone Set |

GRAS Sound & Vibration reserves the right to change specifications and accessories without notice.

GRAS Worldwide

Subsidiaries and distributors in more than 40 countries

HEAD OFFICE, DENMARK

GRAS SOUND & VIBRATION

Skovlytoften 33
2840 Holte
Denmark
Tel: +45 4566 4046
www.GRASacoustics.com
gras@grasacoustics.com

USA

GRAS SOUND & VIBRATION

9290 SW Nimbus Avenue
Beaverton, OR 97008
Tel: 503-627-0832
Toll Free: 800-231-7350
www.GRASacoustics.com
sales-usa@grasacoustics.com

UK

GRAS SOUND & VIBRATION

Unit 115, Gibson House,
Ermine Business Park, Huntingdon,
Cambridgeshire, PE29 6XU
Tel: +44 (0) 7762 584 202
www.GRASacoustics.com
sales-uk@grasacoustics.com

CHINA

GRAS SOUND & VIBRATION

Room 315, RuiBo Center(T1)
Lane683, Shenhong Rd,
Minhang District,
Shanghai, China, 201107
Tel: +86 21 64203370
www.GRASacoustics.cn
cnsales@grasacoustics.com



About GRAS Sound & Vibration

GRAS is a worldwide leader in the sound and vibration industry. We develop and manufacture state-of-the-art measurement microphones and related equipment for industries where acoustic measuring accuracy and repeatability are of the utmost importance. This includes applications and solutions for customers within the fields of aerospace, automotive, audiology, consumer electronics and other highly demanding industries. GRAS microphones are designed to live up to the high quality, durability and accuracy that our customers have come to expect, trust and require.

GRAS Sound & Vibration is represented through subsidiaries and distributors in more than 40 countries and is part of Axiometrix Solutions, a leading test solutions provider comprised of globally recognized measurement brands. Read more at www.grasacoustics.com

grasacoustics.com

GRAS
An Axiometrix Solutions Brand