

GRAS 26CF

1/2" CCP Preamp with BNC Connector, Gain and Filters



Freq range: 2.5 Hz - 200 kHz
Noise: 1.8 μ V Gain: -0.25 / +20 dB
Special feature: 0/20 dB gain, A-weighting
and HP filters

The GRAS 1/2-inch Preamplifier GRAS 26CF is a general purpose preamplifier optimized for use with prepolarized condenser microphones. It is a small, robust unit and uses a GRAS CCP power supply, e.g. GRAS 12AL. It has low inherent noise level, a large dynamic range and a frequency response from 2.5 Hz to 100 kHz.

Gain and filter switch settings

There are two flush-mounted switches for selecting various combinations of gain and filtering, i.e.:

Gain switch settings:

- 0 dB - for normal microphone signals.
- +20 dB - for boosting weak microphone signals.

Filter switch settings:

- A-Weighting - as required in standard measurements. Linear - to let the microphone signal pass unfiltered.
- High-pass - to cut off unwanted low frequencies.

Its small ceramic thick-film substrate has a very high input impedance, and is shielded by a guard ring to minimise the influence of stray capacitance and microphonic interference.

The GRAS 26CF can be used with all GRAS prepolarized microphones, namely:

- 1/2-inch microphones: GRAS 40AE, 40AD and 40AQ
- 1/4-inch microphones: GRAS 40BE and 40BD, using the optional 1/2-inch to 1/4-inch adaptor RA0019

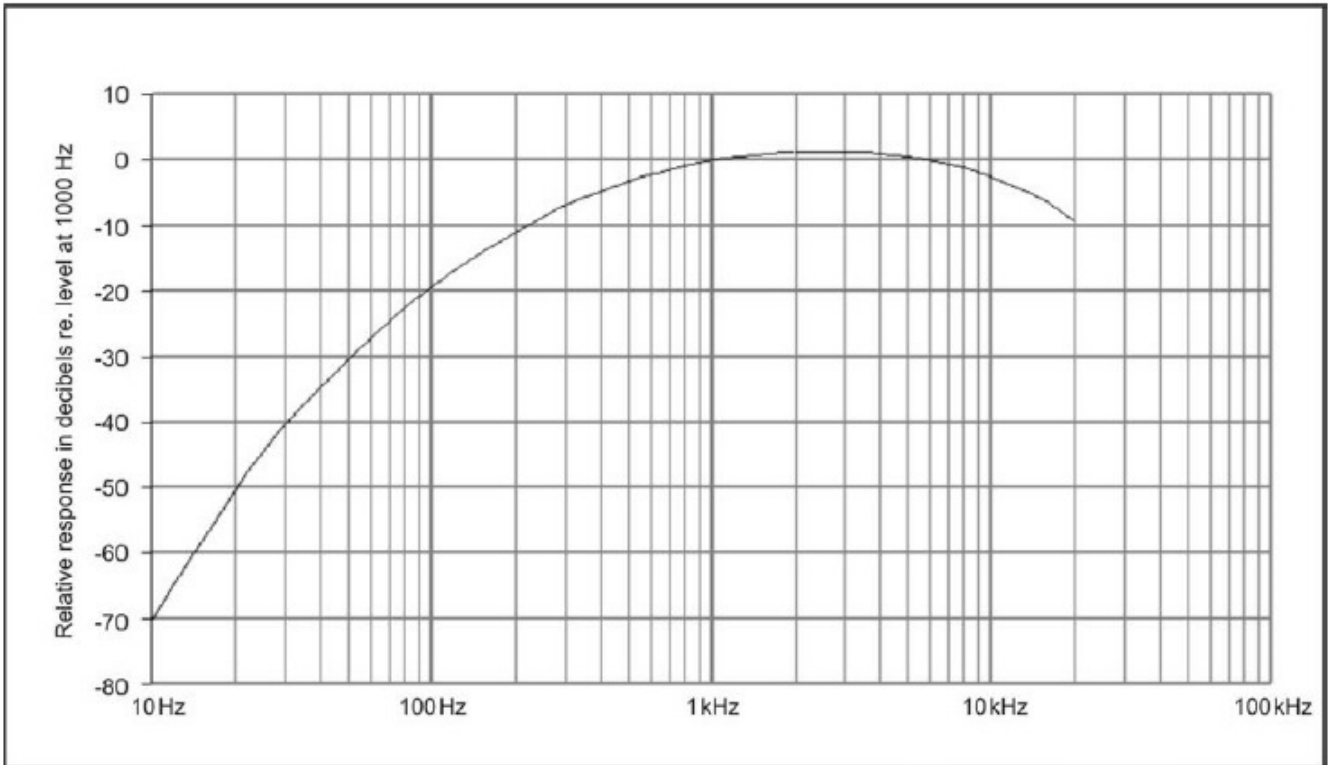
It has an integrated BNC output connector.

The casing is made of stainless steel for maximum strength and durability.

CCP stands for "Constant Current Power" and describes GRAS power supplies that maintain a constant level of current for driving IEPE transducers like this preamplifier which can be used with prepolarized microphone cartridges such as GRAS 40AD, 40AE, 40AO and 40AQ.

Frequency range (± 0.2 dB) with 18 pF microphone dummy	Hz	2.5 to 80 k (1 V input)
Slew rate	V/ μ s	1
Input impedance	G // pF	20 // 0.4
Output impedance		< 50
Output Voltage Swing, min. @ 24-28 V CCP voltage supply	Vp	3.5 (20-20 kHz)
Noise (A-Weighted) max.	μ V	6
Noise (A-Weighted) typ.	μ V	5
Noise (Linear 20 Hz - 20 kHz) max.	μ V	8.5
Noise (Linear 20 Hz - 20 kHz) typ.	μ V	8
High-pass filter @3dB cut-off	Hz	20
Gain	dB	-0.35
Power supply (Constant Current Power)	mA	4 to 20 (typ. 4)
DC bias voltage, typ.	V	15
Temperature range, operation	$^{\circ}$ C / $^{\circ}$ F	-30 to 70 / -22 to 158
Temperature range, storage	$^{\circ}$ C / $^{\circ}$ F	-40 to 85 / -40 to 185
Humidity range non condensing	% RH	0 - 95
Connector type		BNC
CE/RoHS compliant/WEEE registered		Yes / Yes, Yes
Weight	g / oz	30.0 / 1.06

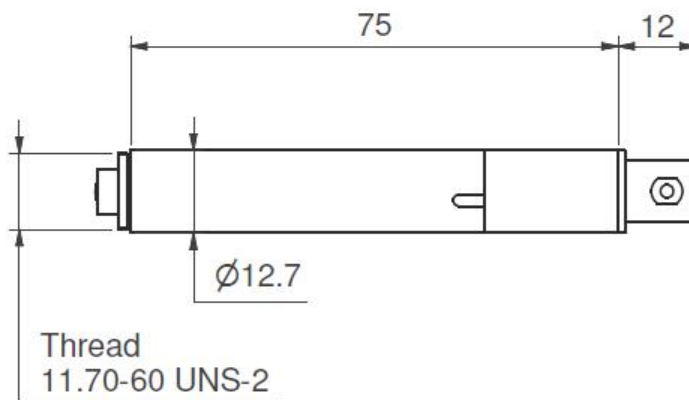
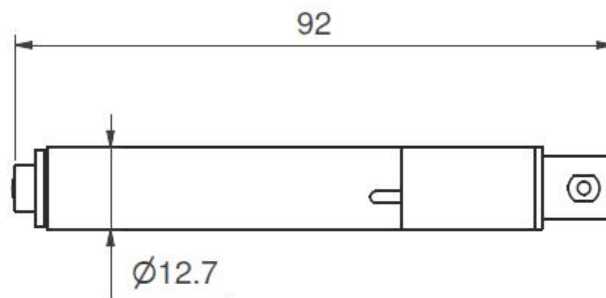
Conditions: 23 $^{\circ}$ C Ambient temperature, 4 mA / 24 V open loop CCP voltage, 18 pF dummy microphone & 3 m coax-cable.



Frequency response of A-weighting filter (compliant with IEC 61672-1 Class 1)

GRAS Sound & Vibration reserves the right to change specifications and accessories without notice.

Dimensions in mm



Optional items

GRAS AA0035	3 m BNC - BNC Cable
GRAS AL0008	1/2" Microphone Holder, POM
GRAS AL0012	1/2" Microphone Holder, Stainless Steel
GRAS AL0005	Swivel head
GRAS AL0006	Tripod
GRAS RA0019	Adapter for 1/4" microphone and 1/2" preamplifier
GRAS RA0073	Adapter for 1" microphone and 1/2" preamplifier
GRAS RA0190	Right-angled (90°) Adapter for 1/2" Microphone and 1/2" Preamplifier
GRAS RA0018	20 dB Attenuator for prepolarized 1/2" microphones
GRAS RA0062	20 pF Preamplifier-input Adapter for 1/2" preamplifiers
GRAS 12AL	1-Channel CCP Power Module with A-weighting filter
GRAS 12AQ	2-Channel Universal Power Module with signal conditioning and PC interface

GRAS Sound & Vibration reserves the right to change specifications and accessories without notice.

GRAS Worldwide

Subsidiaries and distributors in more than 40 countries

HEAD OFFICE, DENMARK
GRAS SOUND & VIBRATION
Skovlytoften 33
2840 Holte
Denmark
Tel: +45 4566 4046
www.GRASacoustics.com
gras@grasacoustics.com

USA
GRAS SOUND & VIBRATION
9290 SW Nimbus Avenue
Beaverton, OR 97008
Tel: 503-627-0832
Toll Free: 800-231-7350
www.GRASacoustics.com
sales-usa@grasacoustics.com

UK
GRAS SOUND & VIBRATION
Unit 115, Gibson House,
Ermine Business Park, Huntingdon,
Cambridgeshire, PE29 6XU
Tel: +44 (0) 7762 584 202
www.GRASacoustics.com
sales-uk@grasacoustics.com

CHINA
GRAS SOUND & VIBRATION
Room 315, RuiBo Center(T1)
Lane683, Shenhong Rd,
Minhang District,
Shanghai, China, 201107
Tel: +86 21 64203370
www.GRASacoustics.cn
cnsales@grasacoustics.com



About GRAS Sound & Vibration

GRAS is a worldwide leader in the sound and vibration industry. We develop and manufacture state-of-the-art measurement microphones and related equipment for industries where acoustic measuring accuracy and repeatability are of the utmost importance. This includes applications and solutions for customers within the fields of aerospace, automotive, audiology, consumer electronics and other highly demanding industries. GRAS microphones are designed to live up to the high quality, durability and accuracy that our customers have come to expect, trust and require.

GRAS Sound & Vibration is represented through subsidiaries and distributors in more than 40 countries and is part of Axiometrix Solutions, a leading test solutions provider comprised of globally recognized measurement brands. Read more at www.grasacoustics.com

grasacoustics.com

GRAS
An Axiometrix Solutions Brand