

Instruction Manual

50AI-LP Rugged CCP Sound Intensity Probe



Revision History

Any feedback or questions about this document are welcome at gras@gras.dk.

Revision	Date	Description
1	22 May 2013	First publication
2	06 June 2014	New part numbers for spacers
3	28 February 2017	Page 13: PI-Index limit corrected to 29 dB

Copyright Notice

© 2014-17 G.R.A.S. Sound & Vibration A/S

www.gras.dk

Trademarks

Product names mentioned in this document may be trademarks or registered trademarks of their respective companies and are hereby acknowledged.

Contents

Introduction and Description	4
Main Features	5
Delivered Items.....	6
Assembling the Probe.....	7
Assembling the Probe Microphones and Spacers	7
Changing the Spacer (to cover a different frequency range)	8
Using the Probe	9
Selecting Spacer	9
Sound-intensity Axis.....	9
Adjusting the Head Angle	10
Calibration	10
Preparing for Calibration.....	10
Checking the Sensitivity and P-I Index using a Pistonphone.....	11
Checking the Probe's P-I Index using an Intensity Calibrator.....	12
Ordering Information	13
Specifications and Warranty	14
Calibration.....	14
Warranty.....	14
Service and Repairs.....	14

Introduction and Description

The G.R.A.S 50AI-LP Rugged CCP Sound-intensity Probe is a two-microphone sound intensity probe especially designed for use in conditions calling for a rugged design. It is equipped with CCP *transducers and a control handle for direct connection to LMS intensity analyzers.

It has a G.R.A.S. 40GK phase-matched ½" microphone pair and a pair of G.R.A.S. 26CC ¼" phase-matched preamplifiers. Also, it has two right-angled adapters, three spacers, and a remote control handle. For connection to a LMS intensity analyzer a connection and extension cable are included. The probe is adjustable, durable and fully meets the requirements of:

- IEC 61043, Electroacoustics – Instruments for the Measurement of Sound Intensity – Measurements with Pairs of Pressure Sensing Microphones, 1993 for Class 1 Sound-intensity probes.

The 40GK microphone pair consists of special free-field microphones with extremely well-controlled phase characteristics. It is delivered as a matched pair with individual calibration data for each microphone as well as data on the differences between their phase responses.

These microphones have a unique pressure equalization system that ensures a well defined lower-limiting frequency and an extremely low sensitivity to sound pressures at the pressure equalization channels.

The Probe Design

Rugged Design

The 50AI-LP is a standard sound intensity probe with CCP microphones and a handle with controls and connection for LMS intensity analyzers. However, the physical design has been optimized for use in rough environments:

- The preamplifiers are supported by stainless steel holders. The connections between preamplifiers and cables are thus protected from strain.
- The probe head is symmetrical and more rigid than an asymmetrical design.
- The robust microphone cables are attached closely to the telescopic arm, minimizing the risk for cable damage.
- The holder assembly can be securely fixed at 0°, 45° and 90°, without compromising its physical stability.
- The microphones' protection grids are made of stainless steel, improving their ability to withstand rough physical treatment and protecting the microphone's diaphragms from damage.

The distance between microphones and preamplifiers has been kept to a minimum to avoid stray capacitances and sensitivity to vibration. The phase characteristics of an Intensity Probe can be critically affected by even very small vibrations. Therefore, the ¼" preamplifiers are mounted in rigid contact with the ½" microphones via short adapters. This also eliminates problems with non-matching capacitances between microphones and preamplifiers which could result in phase problems.

*CCP = Constant Current Power

Main Features

The 50AI-LP Rugged CCP Intensity Probe is a simple-to-use and reliable probe designed with the following features:

- Complete, rugged Sound Intensity Probe for locating sound sources and for sound power measurements.
- Easy connection to LMS intensity analyzers with CCP inputs and USB connection.
- Remote-control handle for direct control of LMS sound-intensity measuring systems.
- 40GK Sound Intensity Microphone Pair with a uniquely-designed pressure equalization system that ensures extremely well defined phase characteristics.
- Two 26CC Microphone Preamplifiers housed in robust, stainless steel casings.
- Three solid spacers of various lengths and a spacer cup to cover the frequency range from 60 Hz to 10 kHz.

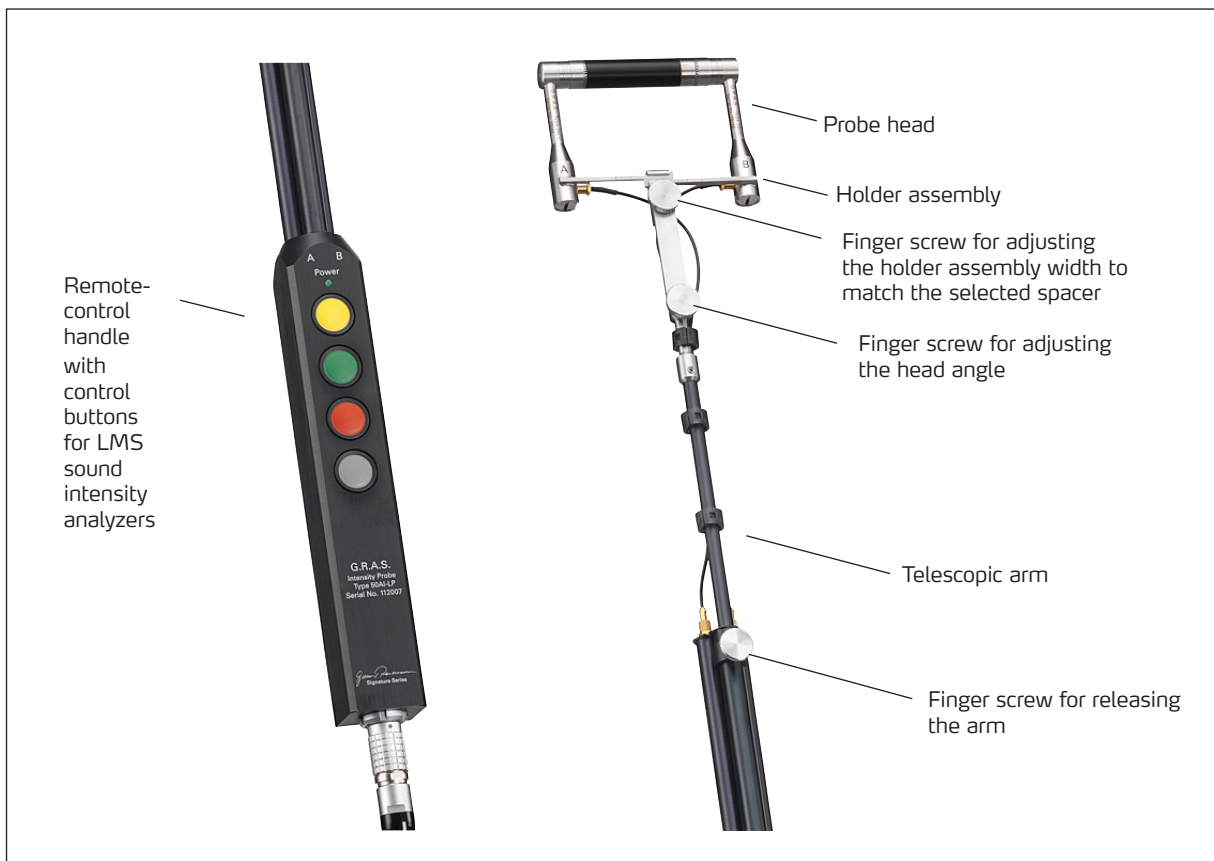


Fig. 1. The 50AI-LP Intensity probe

Delivered Items

The 50AI-LP is delivered fully assembled in a shoulder bag, complete with spacers, wind screen, connection cable and extension cable.



Fig. 2. The 50AI-LP probe and its accessories

Assembling the Probe

Assembling the Probe Microphones and Spacers

This section describes how to assemble and disassemble the probe. The 50AI-LP is fully assembled when delivered. You will only need to disassemble and reassemble when another spacer size or calibration is needed.

It is assembled in a symmetrical setup, ideal for sound power measurements, for example according to the international standard ISO 9614-2 "Acoustics - Determination of sound power levels of noise sources using sound intensity" where a rotation test is required.

Fig. 3 shows an exploded view of the probe head. An assembled probe head is shown in Fig. 4.

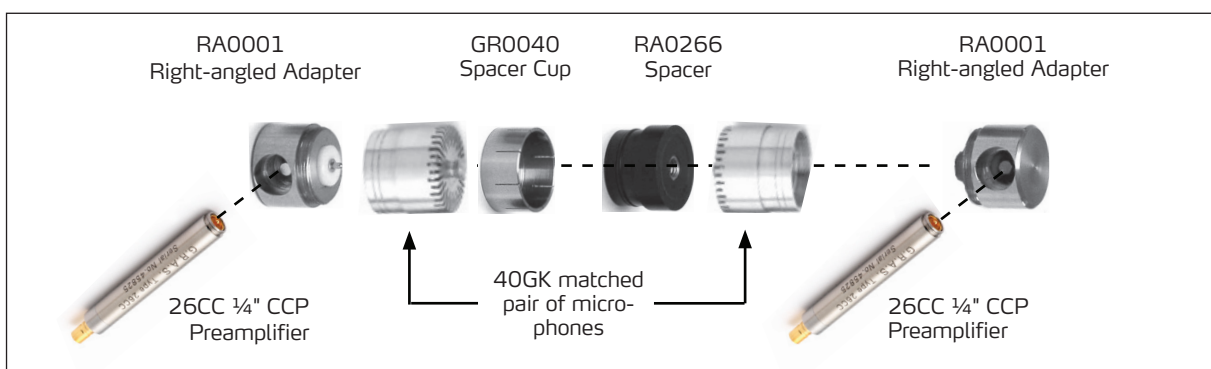


Fig. 3. Exploded view of probe assembly

Assemble as follows:

1. Screw one microphone onto one RA0001 Right-angled Adapter and the other microphone onto the other Right-angled Adapter.
2. Screw the preamplifiers into the right-angled adapters.
3. Screw the GR0040 Spacer Cup onto the protection grid of one of the microphones.
4. Select the most appropriate spacer for the desired frequency range, refer to "Selecting Spacer" on page 9.
5. Screw the spacer onto the protection grid of the other microphone.
6. Assemble the two halves of the probe assembly by pushing the free end of the spacer (mounted on one of the microphones) fully into the spacer cup.

Adjusting the Distance between the Microphone Holders

1. Loosen the finger screw at the top of the telescopic arm.
2. Adjust the distance between the two microphone holders (A and B) to match the distance between the preamplifiers. Do not tighten the finger screw at this point.

Mounting the Microphone Assembly onto the Telescopic Arm

The microphone-preamplifiers are mounted by simultaneously pushing the preamplifiers down into the holders with your index fingers. **Important.** Take care to push evenly on the two angled adapters while supporting the holders at the same time with your thumbs.

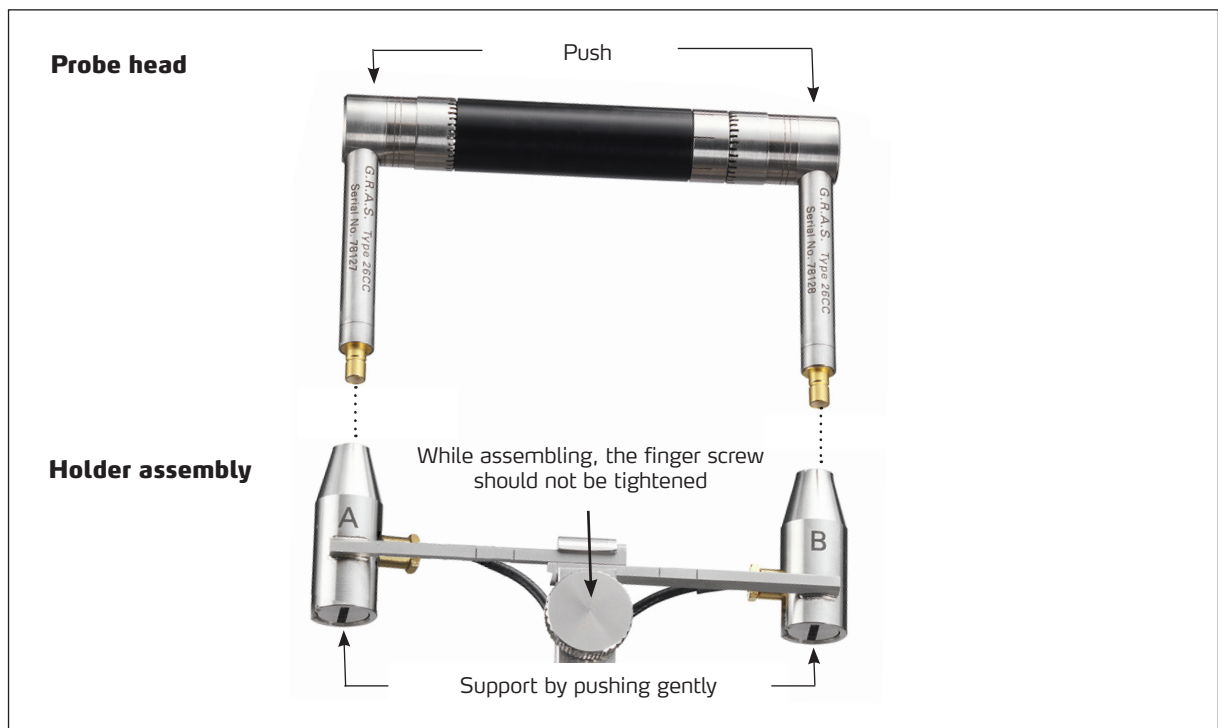


Fig. 4. Mounting the Probe head onto the Holder assembly

1. Slide the preamplifiers into the holders marked A and B respectively.
Important. Take care to align preamplifiers and holders to ensure that they fit smoothly.
2. Push on the right angled adapters until the preamplifiers click onto the connectors inside the holders A and B.
3. Tighten the finger screw.

Changing the Spacer (to cover a different frequency range)

Dismantle the microphone assembly by reversing the procedure described above.

1. Pull the preamplifiers out of the holders A and B.
2. Dismantle the probe head by pulling the spacer out of the spacer cup.
3. Unscrew the spacer and replace it with the one covering the desired frequency range (See "Selecting Spacer" on page 9).

Using the Probe

Selecting Spacer

To cover the desired frequency range, the probe must be fitted with a spacer of the appropriate length according to the guidelines shown in Fig. 5.

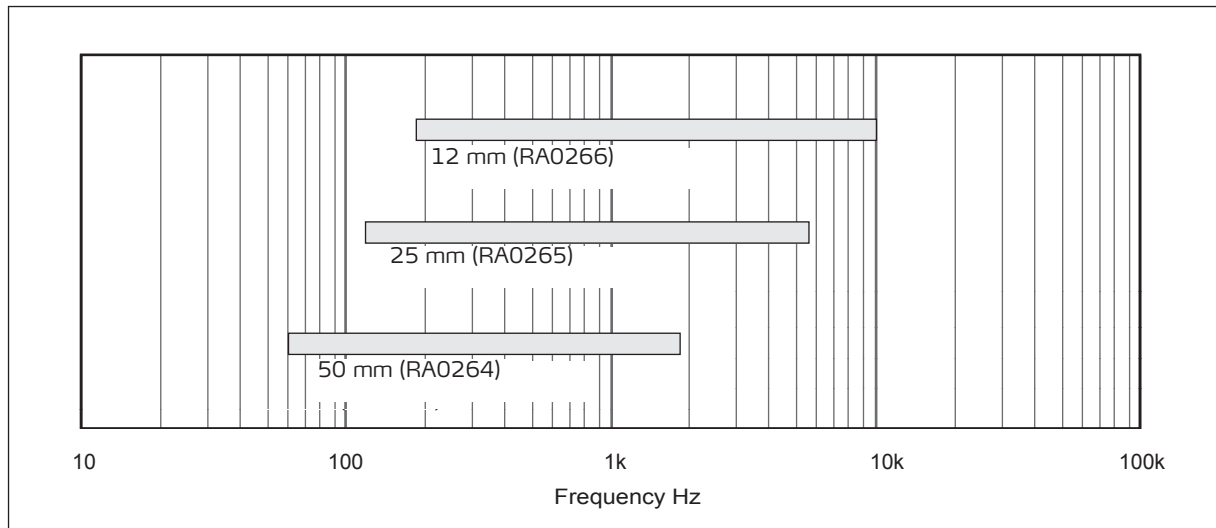


Fig. 5. Frequency ranges covered by the various spacer lengths.

Sound-intensity Axis

A and B refer to the two probe channels: Channel A is reserved for the leading microphone, i.e. the microphone first struck by the acoustic wave front. The wave front travelling from microphone A to microphone B is interpreted as a positive component of the sound intensity.

Fig. 6 illustrates the origin and direction of positive sound-intensity vectors. Positive direction is always from microphone A to microphone B. The origin of the sound-intensity axis is always located in the geometric centre of the probe microphone pair.

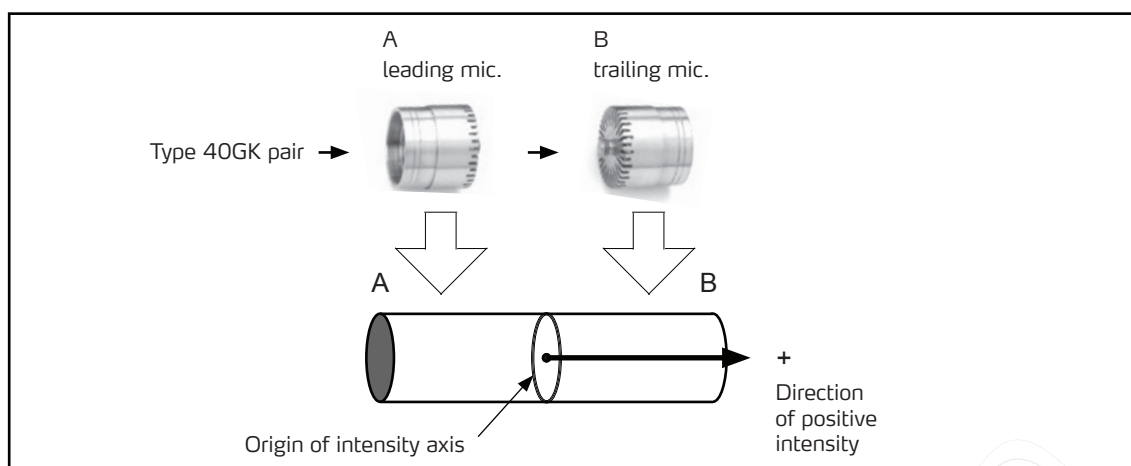


Fig. 6. Showing the microphones 'A' and 'B' which correspond with channels A and B respectively. 'A' is the leading microphone and is struck first by a sound wave

Adjusting the Head Angle

The probe head can be fixed at an angle of 0°, 45° and 90 degrees.

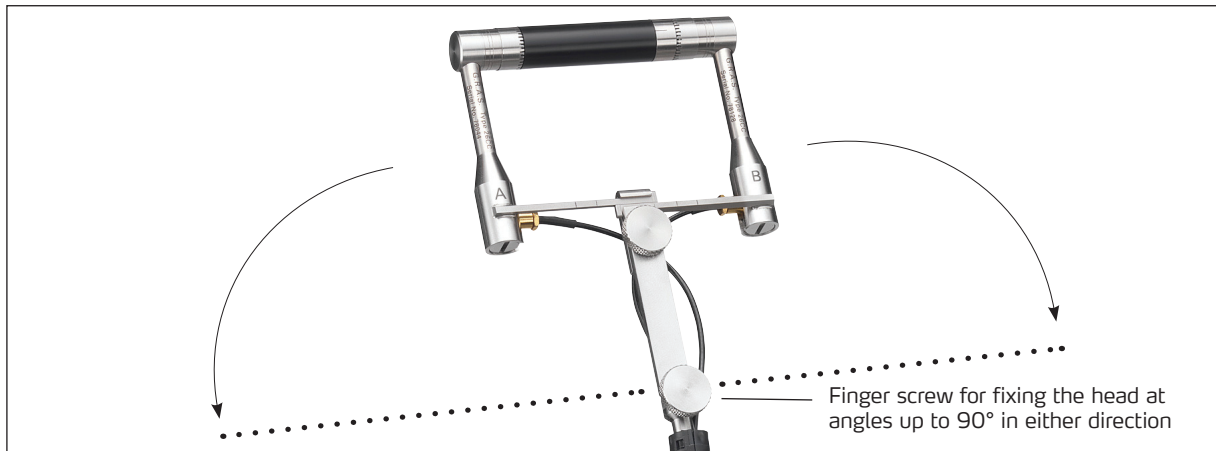


Fig. 7. Fixing the probe head at an angle

Calibration

Preparing for Calibration

Before calibration, the microphones must be removed from the probe head to make it possible to mount them in a two-port calibration coupler or in a sound intensity calibrator.



Fig. 8. Releasing the cable connectors from the holder assembly

Removing the cables from the holder assembly:

1. Pull up the probe head.
2. Remove the screws from the bottom of both the holders (A and B).
3. Slide out the cable as shown in Fig. 8.

Now you can remove the spacers and reconnect the microphones+preamplifiers to the cables, ready for mounting in the RA0024 Two-port Calibration Coupler or the 51AB Sound Intensity Calibrator.

Checking the Sensitivity and P-I Index using a Pistonphone

Checking the Sensitivity

Check the sensitivity of the microphones using a 42AP (recommended) or 42AA Pistonphone. Refer to the manual supplied with the pistonphone for instructions on using the pistonphone.

Checking the P-I Index (Pressure Intensity)

Check the P-I index using the RA0024 Two-port Calibration Coupler and a pistonphone:

1. Dismount the standard ½" coupler.
2. Mount the RA0024 Two-port Calibration Coupler, and insert the two microphones into its ports. *The two microphones will be subjected to the same pressure level.*

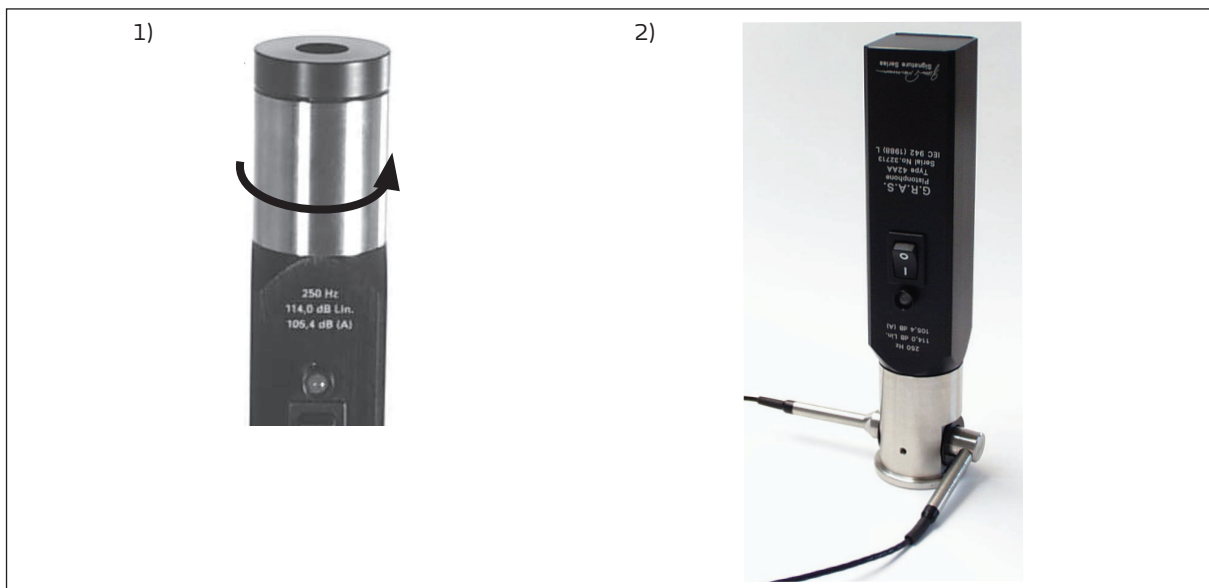


Fig. 9. Mounting with the RA0024 two port calibration coupler

You will have to add the two-port correction factor for the RA0024 to the calibration value given for the pistonphone. The sound pressure level L_{2P} obtained in the two-port adapter is then:

$$L_{2P} = L_P + L_C$$

L_P : normal pistonphone level corrected for the barometric pressure
 L_C : two-port correction factor (nominal 8.0 dB)

Two-port correction factor (nominal):	8.0 dB
Nominal Frequency	250 Hz

Important: 42AP automatically displays the barometric correction factor. If you are using 42AA, you must measure the barometric pressure separately.

Checking the Probe's P-I Index using an Intensity Calibrator

The P-I (Pressure Intensity) index of the sound intensity microphone pair and preamplifiers can be checked using the 51AB Intensity Calibrator – proceed as follows:

1. Mount the intensity microphones on their preamplifiers.
2. Connect the preamplifier outputs to the sound-intensity analyzer.
3. Insert the microphones into the holes at the ends of the Intensity Calibrator, making sure to push them all the way in.
4. Set the intensity analyzer to measure intensity corresponding to a 25 mm microphone spacing.
5. Apply a signal¹ to the BNC input of the Intensity Calibrator (signal must not exceed 1 V RMS).
6. Set the analyzer to mean pressure mode, and measure the result in decibels re. 20 μ Pa.
7. Set the analyzer to intensity mode and measure the result in decibels re. 10^{-12} W/m².

The P-I index of the intensity probe is then the difference, in decibels, of these two results. For frequencies equal to or above 300 Hz, this should be at least 29 dB.

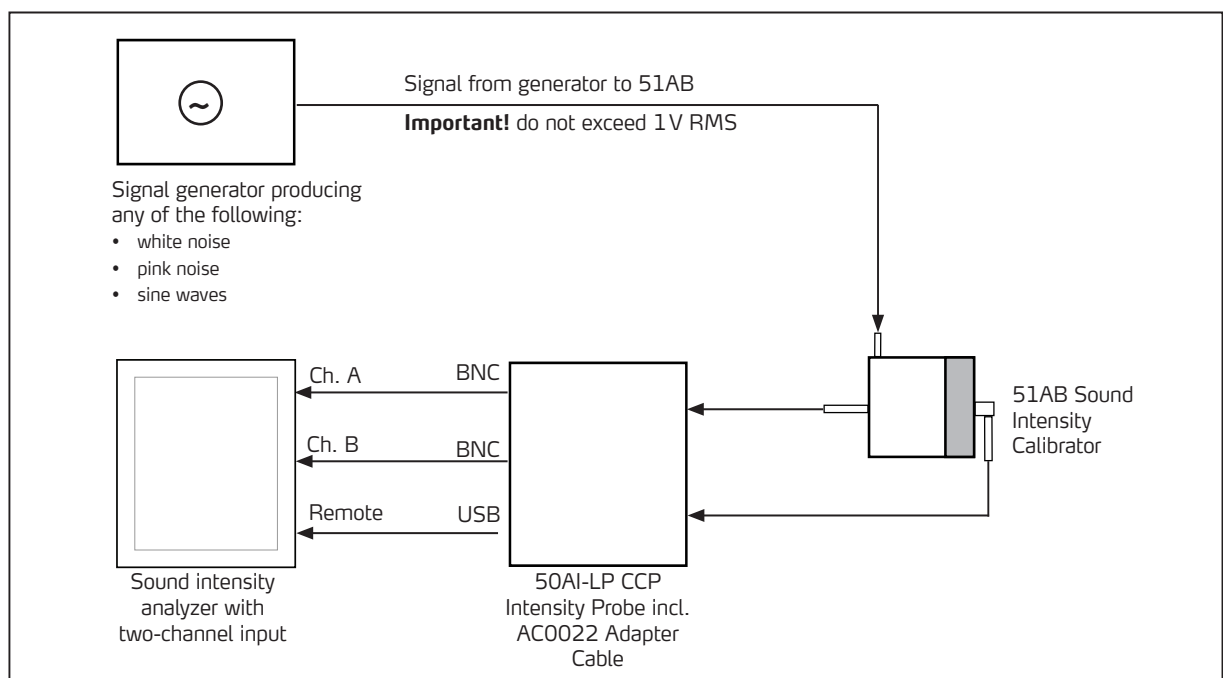


Fig. 10. Setup with signal generator and sound intensity analyzer

¹ White-noise, pink-noise or a sine wave.

Ordering Information

Included Items	Part Number
½" Free-field Sound Intensity Microphone set	40GK
Spacers Spacer, 50 mm Spacer, 25 mm Spacer, 12mm Spacer Cup	RA0264 RA0265 RA0266 GR0040
Angled adapter, 2 pcs	RA0001
¼" CCP Preamplifier set	26CC set
12-pin LEMO Extension Cable, 5 m (male-male)	AA0021
Adapter cable, 12-pin LEMO (female) to 2 x BNC + USB Adapter	AC0022
2 x Cable SMB-Microdot 25 cm (male-male)	AA0068
Probe Handle	AI0048S
Windscreen	AM0376
Optional Accessories	
12-pin LEMO Extension Cable, 10 m (female-male)	AA0010
12-pin LEMO Extension Cable, 3 m (female-male)	AA0010-S1
12-pin LEMO Extension Cable, 25 m (female-male)	AA0010-S2
12-pin LEMO Extension Cable, 15 m (female-male)	AA0010-S3
For calibration	
Pistonphone with built-in barometer and thermometer (recommended)	42AP
Pistonphone	42AA
Two-port Calibration Coupler (for 42AP and 42AA Pistonphones)	RA0024
Intensity Calibrator	51AB

Specifications and Warranty

Specifications

Sound-intensity microphone pair 40GK, phase-matched	½" Free-field
Preamplifiers 26CC	Phase-matched
Frequency response and phase-matching	IEC 61043 class 1
Weight	0.4 kg (0.9 lbs)
Frequency range with 50 mm spacer	60 Hz – 1.5 kHz
with 25 mm spacer	120 Hz – 5 kHz
with 12-mm spacer	200 Hz – 10 kHz

Calibration

Before leaving the factory, all G.R.A.S. products are calibrated in a controlled laboratory environment using traceable calibration equipment.

We recommend a yearly recalibration at minimum, depending on the use, measurement environment, and internal quality control programs.

We recommend calibration prior to each use to ensure the accuracy of your measurements.

Warranty

All G.R.A.S. products are made of high-quality materials that will ensure life-long stability and robustness. The 50AI-LP is delivered with a 2-year warranty.

Damaged diaphragms in microphones can be replaced.

The warranty does not cover products that are damaged due to negligent use, an incorrect power supply, or an incorrect connection to the equipment.

Service and Repairs

All repairs are made at G.R.A.S. International Support Center located in Denmark. Our Support Center is equipped with the newest test equipment and staffed with dedicated and highly skilled engineers. Upon request, we make cost estimates based on fixed repair categories. If a product covered by warranty is sent for service, it is repaired free of charge, unless the damage is the result of negligent use or other violations of the warranty. All repairs are delivered with a service report, as well as an updated calibration chart.

Manufactured to conform with:

CE marking directive:
93/68/EEC



WEEE directive:
2002/96/EC



RoHS directive:
2002/95/EC

