

Instruction Manual

G.R.A.S. RA0038 1/2" 2cc Coupler IEC 60318-5



Revision History

Revision	Date	Description
1	28 September 2017	Extracted from Earbook as separate document

Any feedback or questions about this document are welcome at gras@gras.dk.

Copyright Notice

© 2005-17 G.R.A.S. Sound & Vibration A/S

<http://www.gras.dk>

Any technical documentation that is made available by G.R.A.S. is the copyrighted work of G.R.A.S. and is owned by G.R.A.S.

The content in this document is subject to change without notice. G.R.A.S. Sound & Vibration A/S is not liable or responsible for any errors or inaccuracies that may appear in this document.

Trademarks

Any other product names mentioned in this document may be trademarks or registered trademarks of their respective companies and are hereby acknowledged.

Contents

Introduction	4
Components.....	4
Various ways of assembling the RA0038.....	5
User Serviceable Components	6
Warranty, Service and Repair	7
Calibration.....	7
Warranty.....	7
Service and Repairs.....	7

Introduction

The RA0038 IEC 126 Coupler is a 2cm³ coupler which uses a ½" microphone, e.g. the G.R.A.S. 40AG. There is no need to remove the microphone's protection grid and expose the microphone to accidental damage.

The coupler complies with the following standards for acoustically testing insert type hearing aids:

- IEC 60126 Ed. 2.0B IEC reference coupler for the measurement of hearing aids using ear-phones coupled to the ear by means of ear inserts (formerly IEC126)
- ANSI S3.7-1973 American National Standard for Coupler Calibration of Earphones

It is also part of the 43AB 1/2" Coupler Kit according to IEC 60318-5.

Components

The RA0038 comprises the following user-serviceable components:

- GR0313K Coupling Housing
- GR0315 Gasket
- GR0316 Union nut
- GR0317 Ear-mould Adapter
- GR0318 Tube Adapter
- GR0319 Tube Adapter
- GR0320 Union nut
- GR0321 In-ear Adapter

The RA0038 is delivered assembled as shown in Fig. 1. An exploded view of its user-serviceable components is shown in Fig. 3.

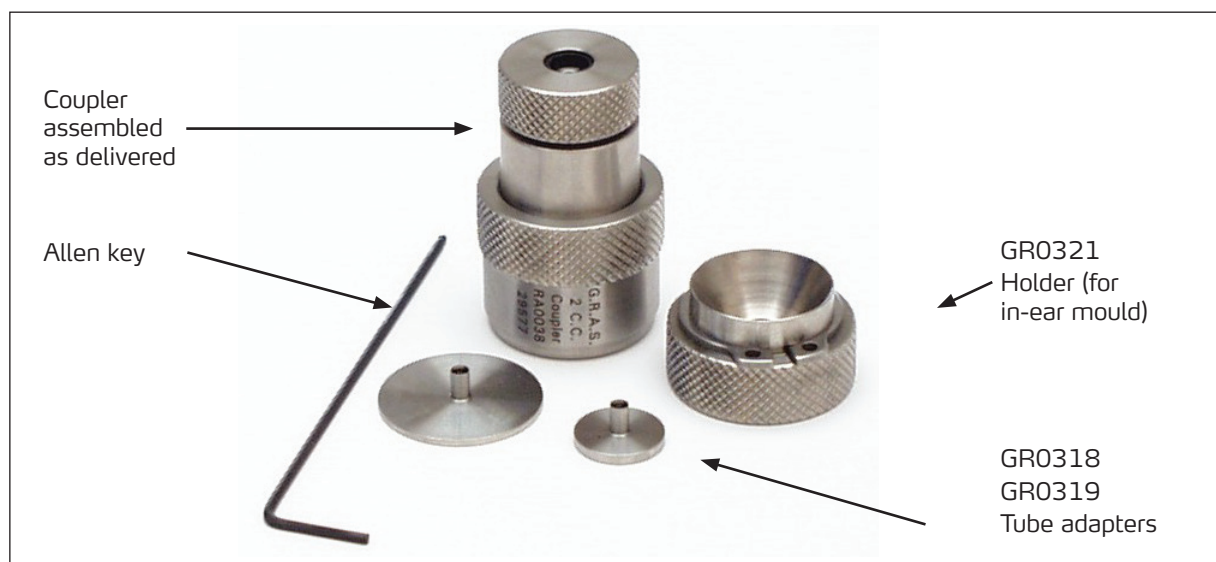


Fig. 1. RA0038 assembled as delivered

Various ways of assembling the RA0038

You can assemble the coupler in various other ways depending on what type of hearing aid is to be tested. See Fig. 2.

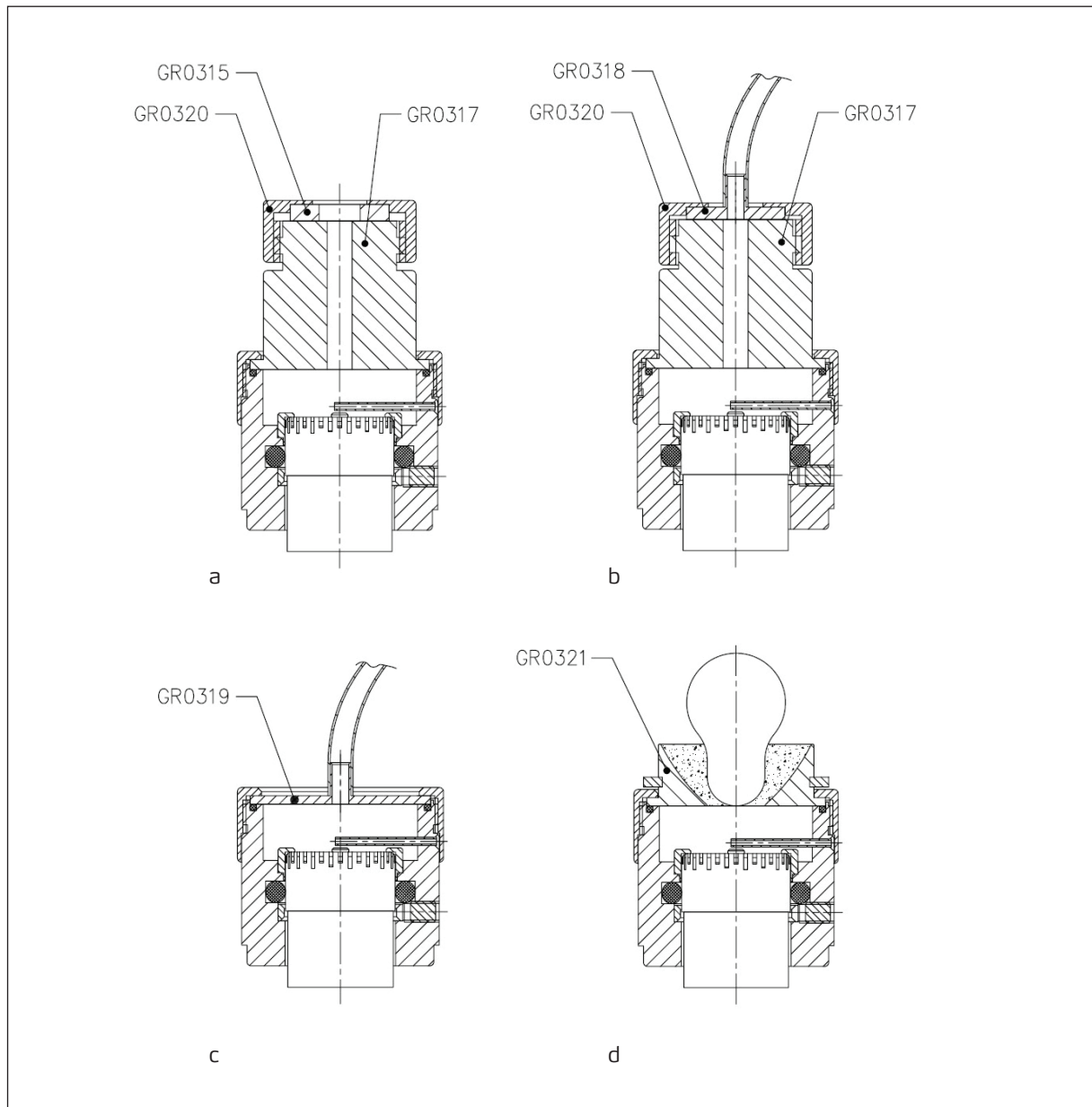


Fig. 2. Various ways of assembling the RA0038

- a) Coupler with ear-mould adapter
- b) Coupler with ear-mould adapter and tube stud
- c) Coupler with tube stud
- d) Coupler with in-ear adapter

User Serviceable Components

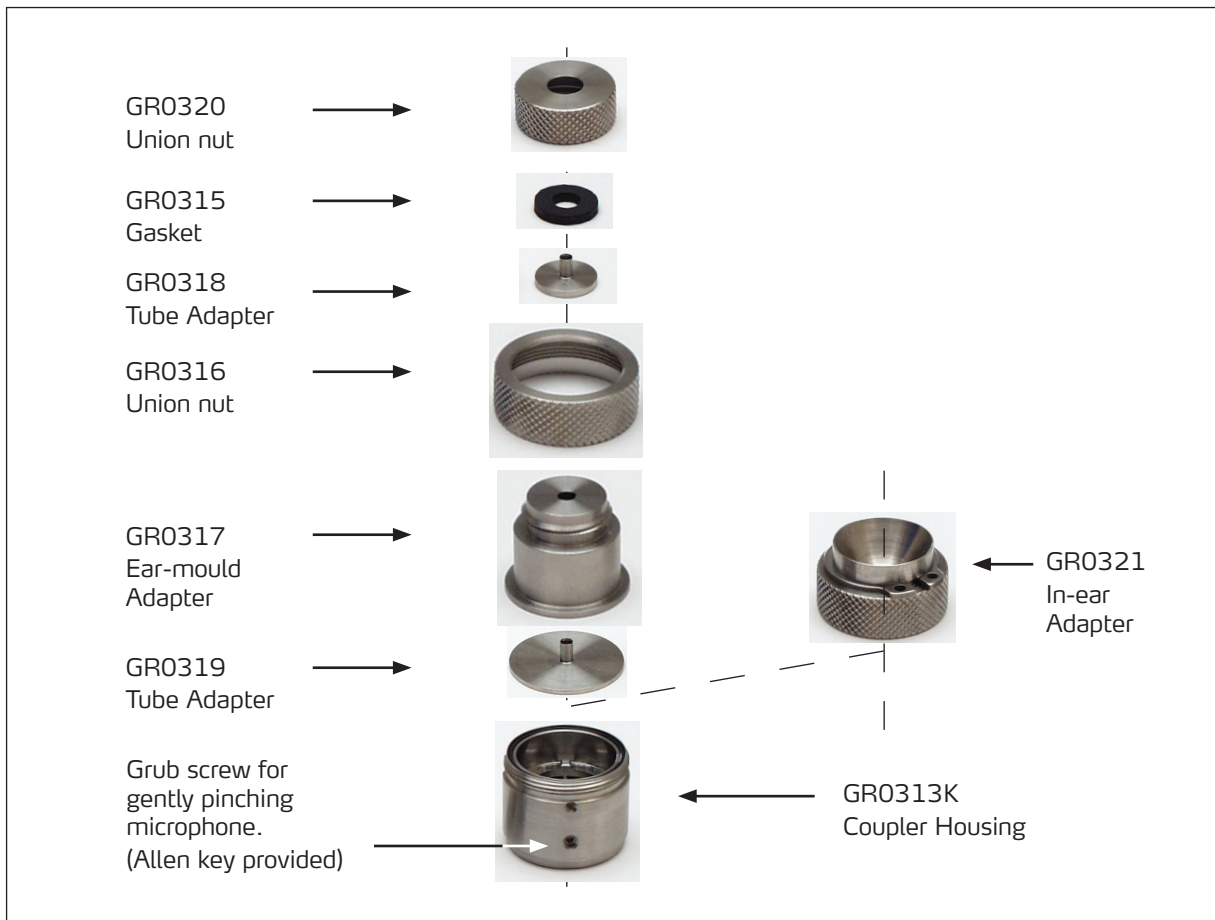


Fig. 3. Exploded view of all the user-serviceable components of the RA0038

Warranty, Service and Repair

Calibration

Before leaving the factory, all G.R.A.S. products are calibrated in a controlled laboratory environment using traceable calibration equipment.

We recommend a yearly recalibration at minimum, depending on the use, measurement environment, and internal quality control programs.

We recommend calibration prior to each use to ensure the accuracy of your measurements.

Warranty

Damaged diaphragms in microphones can be replaced. The microphone diaphragm, body, and improved protection grid are made of high-grade stainless steel, which makes the microphone resistant to physical damage, as well as corrosion caused by aggressive air or gasses. This, combined with the reinforced gold-plated microphone terminal which guarantees a highly reliable connection, enables G.R.A.S. to offer 5 years warranty against defective materials and workmanship.

The warranty does not cover products that are damaged due to negligent use, an incorrect power supply, or an incorrect connection to the equipment.

Service and Repairs

All repairs are made at G.R.A.S. International Support Center located in Denmark. Our Support Center is equipped with the newest test equipment and staffed with dedicated and highly skilled engineers. Upon request, we make cost estimates based on fixed repair categories. If a product covered by warranty is sent for service, it is repaired free of charge, unless the damage is the result of negligent use or other violations of the warranty. All repairs are delivered with a service report, as well as an updated calibration chart.

Manufactured to conform with:

CE marking directive:
93/68/EEC



WEEE directive:
2002/96/EC



RoHS directive:
2002/95/EC



G.R.A.S. Sound & Vibration continually strives to improve the quality of our products for our customers; therefore, the specifications and accessories are subject to change.