

1/4" CCP Preamp Type 26CS

Product Data

Typical Applications

- For use in confined spaces
- High-frequency measurements
- High-pressure measurements
- Sound intensity measurements
- Near-field measurements
- Anechoic boxes
- Hearing-aid measurements

Description

The G.R.A.S. 1/4" Preamp Type 26CS is a very small preamplifier optimized for use with prepolarized condenser microphones. It is a robust unit and uses a CCP¹ power supply. It has a very low inherent noise level, a large dynamic range and a frequency response from below 2 Hz to above 200 kHz.

Its small ceramic thick-film substrate has a very high input impedance, and is shielded by a guard ring to minimise the influence of stray capacitance and microphonic interference.

The Type 26CS is delivered with a built-in TEDS² chip, and can be programmed as a single unit with a microphone fitted. It can be used with all G.R.A.S. prepolarized microphones, namely:

- 1/4" microphones: Types 40BE and 40BD
- 1/2" microphones: Types 40AE, 40AD and 40AQ, using the included 1/4" to 1/2" adaptor GR0010

Type 26CS has an integrated Microdot output connector. A 3-metre (10-foot) Microdot-to-BNC cable is included.

The casing is made of stainless steel for maximum strength and durability.



Fig. 1 1/4" Preamp Type 26CS

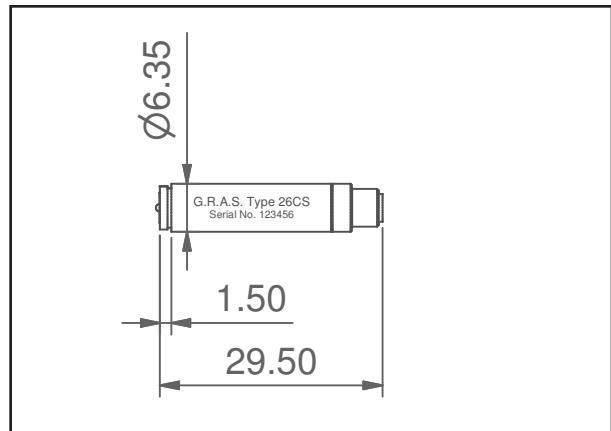


Fig. 2 Main dimensions given in millimeters; scale: 1:1

¹ Constant Current Power

² Transducer Electronic Data Sheet - as proposed by IEEE-P1451.4

Specifications

Frequency response (cable load 4.7 nF):

2 Hz - 200 kHz ± 0.2 dB

Input impedance:

20 G Ω , 0.4 pF

Output impedance (Cs = 20 p F, f=1000Hz):

< 50 Ω

Noise (measured with 20 pF 1/2" dummy mic.):

A-weighted: ≤ 2.5 μ V rms

Linear (20 Hz - 20 kHz): ≤ 6 μ V rms

Gain:

Typically: - 0.45 dB

Power-supply:

2 mA to 20 mA (typically 4 mA)

Maximum signal-output voltage (peak):

± 8.0 V

Temperature:

Operation: -30 $^{\circ}$ C to + 70 $^{\circ}$ C

Storage: - 40 $^{\circ}$ C to + 85 $^{\circ}$ C

Relative humidity:

Operation: 0 to 95 %

Storage: 0 to 95 %

Connector type:

Microdot 10/32

Dimensions and weight:

Diameter: 6.35 mm (1/4")

Length: 29.50 mm (1.2")

Weight: 3.5 g (0.12 oz)

Accessories

Included

AA0018: Microdot-to-BNC cable
3-m cable, UNF 10-32 Microdot to BNC

GR0010: 1/4"-to-1/2" adapter for use with
G.R.A.S. 1/2" microphones

Optional

AA0060: Microdot-to-BNC cable
1-m cable, UNF 10-32 Microdot to BNC

AA00610: Microdot-to-BNC cable
5-m cable, UNF 10-32 Microdot to BNC

AA0062: Microdot-to-BNC cable
10-m cable, UNF 10-32 Microdot to BNC

AE1038: Adapter Microdot female-female

G.R.A.S. Sound & Vibration reserves the right to change specifications and accessories without notice